

**PLEASE CHECK WWW.MOLEX.COM FOR LATEST PART INFORMATION**

**Part Number:** [0752270014](#)  
**Status:** **Active**  
**Overview:** [gbx backplane connector system](#)  
**Description:** 1.85 by 1.85mm (.073 by .073") Pitch 4-Pair GbX® Daughtercard Guidance Module

**Documents:**

[Drawing \(PDF\)](#) [RoHS Certificate of Compliance \(PDF\)](#)

**General**

Product Family	Backplane Connectors
Series	<a href="#">75227</a>
Application	Daughtercard
Application Tooling Documents	<a href="http://www.molex.com/pdm_docs/ats/TM-622022099.pdf">Tooling Manual</a>
Comments	Daughtercard Module, Guidance
Component Type	Guide
More Detailed Tech Information	<a href="mailto:I-Trac@molex.com">I-Trac@molex.com</a>
Overview	<a href="#">gbx backplane connector system</a>
Product Name	GbX®
Style	N/A

**Physical**

Breakaway	No
Circuits (Loaded)	0
Color - Resin	Gray (Dark)
Durability (mating cycles max)	250
First Mate / Last Break	No
Guide to Mating Part	No
Keying to Mating Part	None
Material - Resin	High Temperature Thermoplastic
Number of Columns	N/A
Number of Pairs	4
Number of Rows	0
Orientation	Right Angle
PCB Retention	None
PCB Thickness Recommended (in)	0.062 In
PCB Thickness Recommended (mm)	1.60 mm
Packaging Type	Tube
Pitch - Mating Interface (in)	0.073 In
Pitch - Mating Interface (mm)	1.85 mm
Polarized to PCB	Yes
Surface Mount Compatible (SMC)	No
Temperature Range - Operating	-55°C to +105°C

**Electrical**

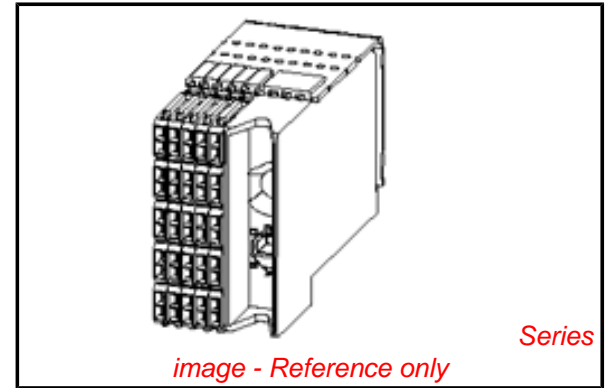
Current - Maximum per Contact	1A
Data Rate	8.0 Gbps
Voltage - Maximum	120V AC (RMS)/DC

**Material Info**

**Reference - Drawing Numbers**

Sales Drawing	SD-75227-001
---------------	--------------

GbX is a registered trademark of Amphenol Corporation.



*image - Reference only*

**EU RoHS**

**RoHS Compliant by Exemption**

**REACH SVHC**

**Contains SVHC: No**

**Halogen-Free**

**Status**

**Halogen-Free**

**China RoHS**



Pb

**Need more information on product environmental compliance?**

Email [productcompliance@molex.com](mailto:productcompliance@molex.com)  
 For a multiple part number RoHS Certificate of Compliance, [click here](#)

Please visit the [Contact Us](#) section for any non-product compliance questions.

**Search Parts in this Series**

[75227Series](#)

**Mates With**

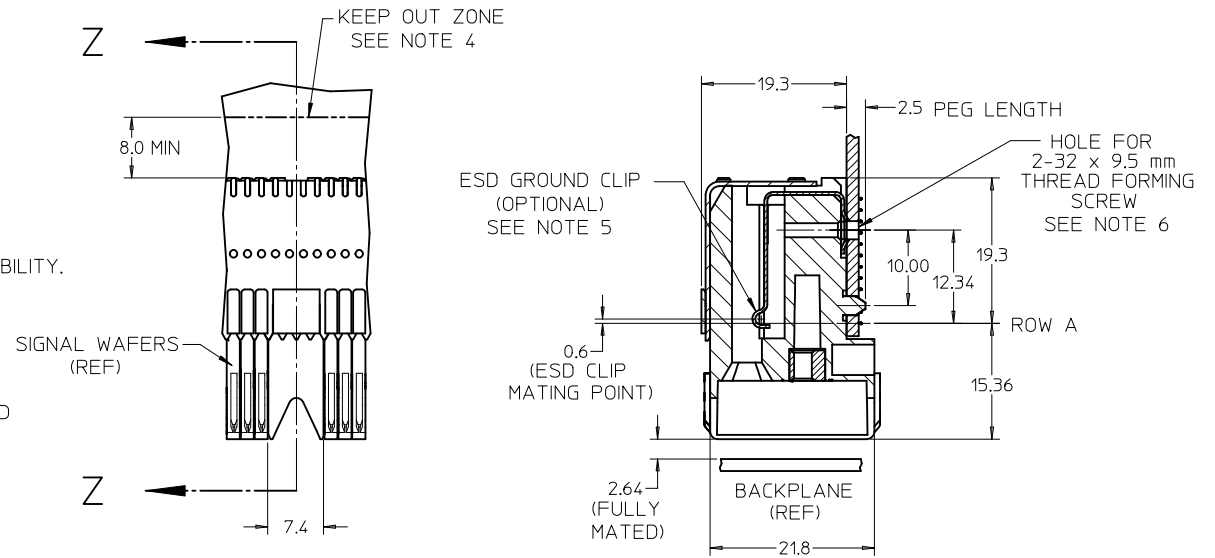
GbX® Backplane Headers [75235](#) , [75237](#)

This document was generated on 05/17/2010

**PLEASE CHECK [WWW.MOLEX.COM](http://WWW.MOLEX.COM) FOR LATEST PART INFORMATION**

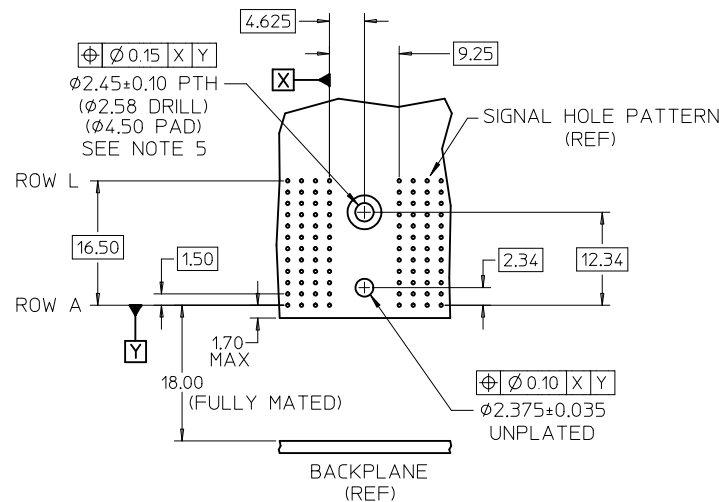
NOTES: (UNLESS OTHERWISE SPECIFIED)

1. MATERIALS: HOUSING - LIQUID CRYSTAL POLYMER (LCP), GLASS-FILLED, UL94V-0  
TERMINAL - HIGH PERFORMANCE COPPER ALLOY
2. FINISH: SELECTIVE GOLD (Au) IN CONTACT AREA, SELECTIVE TIN/LEAD (Sn/Pb) ON PCB TAILS, NICKEL (Ni) OVERALL.
3. REFER TO MOLEX PRODUCT SPECIFICATION PS-75221-999 FOR PERFORMANCE SPECIFICATIONS.
4. THE SPECIFIED KEEP-OUT ZONE IS REQUIRED FOR CONNECTOR REPAIRABILITY.
5. THE ESD GROUND CLIP AND PLATED THROUGH HOLE APPLIES TO THE ESD GROUND MODULE ONLY. THE UNGROUNDED GUIDE MODULE USES A  $\phi 2.45 \pm 0.10$  UNPLATED SCREW HOLE.
6. THREAD FORMING SCREW TORQUE SPECIFICATION:  $2.5 \pm 0.5$  IN-LBS.
7. RECOMMENDED CIRCUIT BOARD THICKNESS: 1.5-3.2mm. FOR OTHER BOARD THICKNESSES CONSULT FACTORY.
8. RECOMMENDED MOUNTING SCREW: 73726-0000.

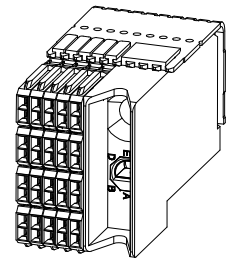
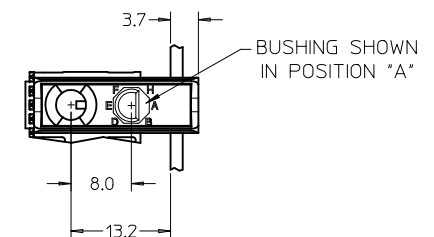


SECTION Z-Z

KEY POSITION	GUIDE MODULE PART NUMBER	ESD GROUND PART NUMBER
NONE	75227-0014	75227-5014
A	75227-0411	75227-5411
B	75227-0412	75227-5412
C	75227-0413	75227-5413
D	75227-0414	75227-5414
E	75227-0415	75227-5415
F	75227-0416	75227-5416
G	75227-0417	75227-5417
H	75227-0418	75227-5418



DAUGHTERCARD HOLE PATTERN (CONNECTOR SIDE)



ADD NOTES EC NO: UCP2010-1625 DRWN: JBINGHAM 2010/01/08 CHKD: JLAURX 2010/01/08 APPR: JLAURX 2010/02/01	QUALITY SYMBOLS ▽ - 0 ▽ - 0	GENERAL TOLERANCES (UNLESS SPECIFIED)		SCALE 2:1	DESIGN UNITS METRIC	THIRD ANGLE PROJECTION	REVISE ON CAD ONLY
		4 PLACES ± --- ± --- 3 PLACES ± --- ± --- 2 PLACES ± 0.13 ± --- 1 PLACE ± 0.25 ± ---	DIMENSION STYLE MM ONLY	TITLE GBX 4 PAIR DAUGHTERCARD GUIDANCE / ESD GROUND SALES DRAWING			
		ANGULAR ± 1/2°	DRAWN BY JLAURX DATE 04/03/15	MOLEX MOLEX INCORPORATED			
		DRAFT WHERE APPLICABLE MUST REMAIN WITHIN DIMENSIONS	CHECKED BY TELO DATE 04/03/15	APPROVED BY JLAURX DATE 2010/02/01	MATERIAL NO. SEE CHART DOCUMENT NO. SD-75227-001 SHEET NO. 1 OF 1		